

FLT BAS C

FLUTE Tap Range Flute Basin Mixer Chrome



Specification	
Style:	Contemporary
Product Type:	Bathroom Taps
Finish/Colour:	Chrome
Main Construction Material:	Brass
Mount Type:	Deck Mounted
Handle Type:	Lever
Connection Inlet:	M10x15mm Compression Flexi Tail
Number of Tap Holes Required:	1
Valve/Cartridge Type:	35mm Cartridge
Plumbing System Suitability	All
Working Pressure Range:	Min. 0.2, Max. 5.0 Bar
Maximum Hot Water Temperature: °c	60
Maximum Dynamic Pressure: (bar)	5
Maximum Static Pressure: (bar)	10
Flow Type:	Single
Flow Rate: (l/min @ 3 bar)	21.2
Connection Outlet:	N/A
Isolation Included:	No

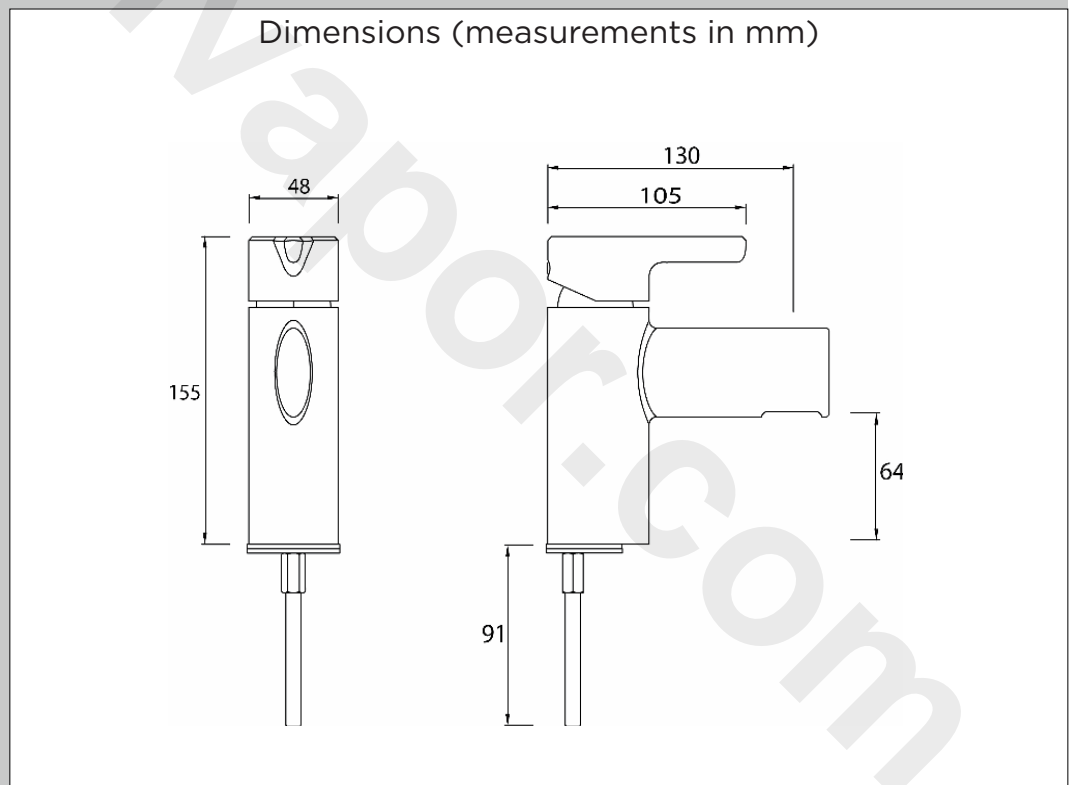
Features:

- Brass construction
- Clicker waste
- 35mm cartridge

Product Certifications:



For more products, visit our website:



Flow Rates (l/min)						
System Pressure (bar)	0.2	0.5	1	2	3	5
FLT BAS C	5.1	8.4	12.1	17.1	21.2	27.3

TECHNICAL
DATA
SHEET



BRISTAN
TAPS & SHOWERS

D3